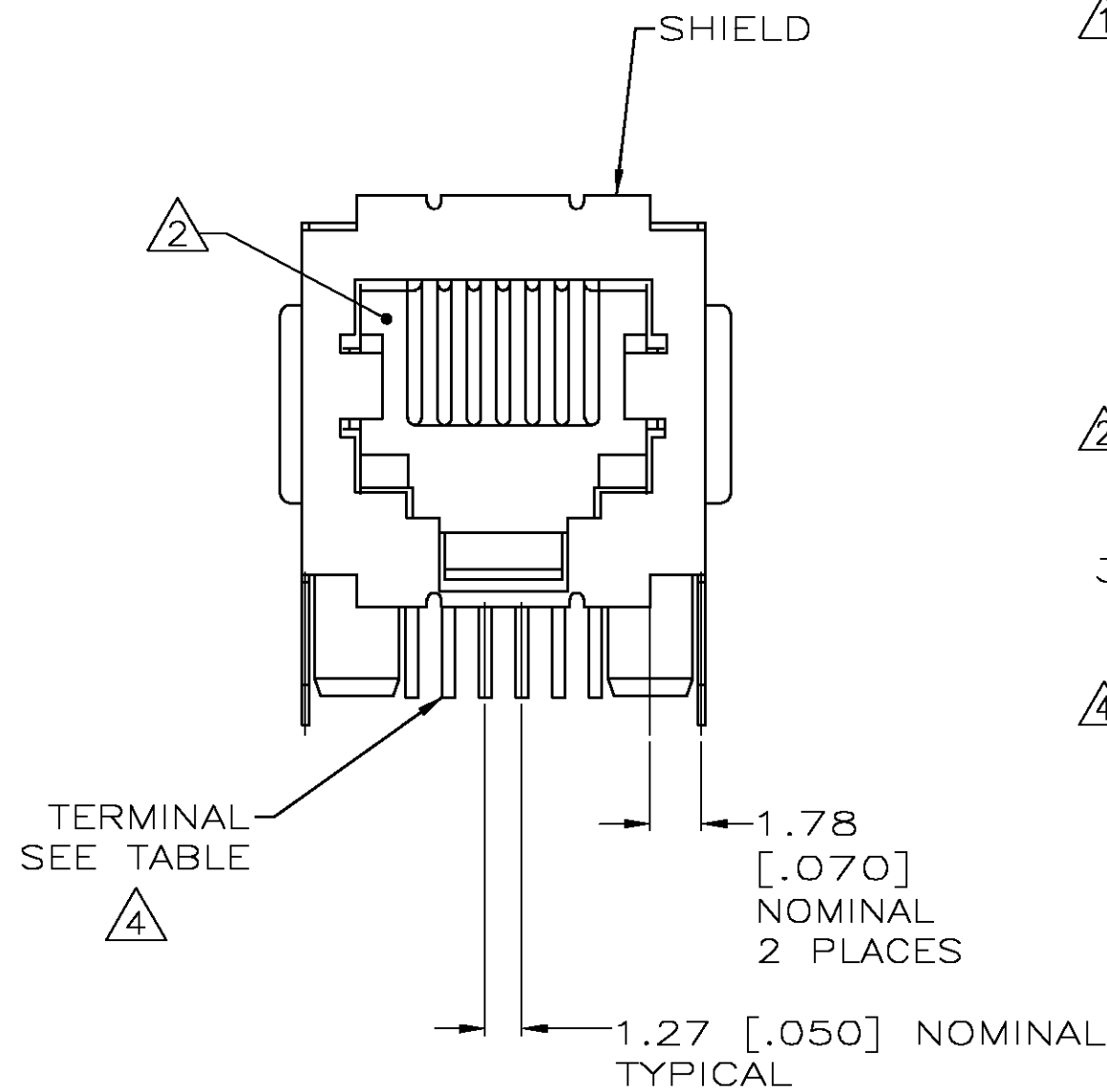
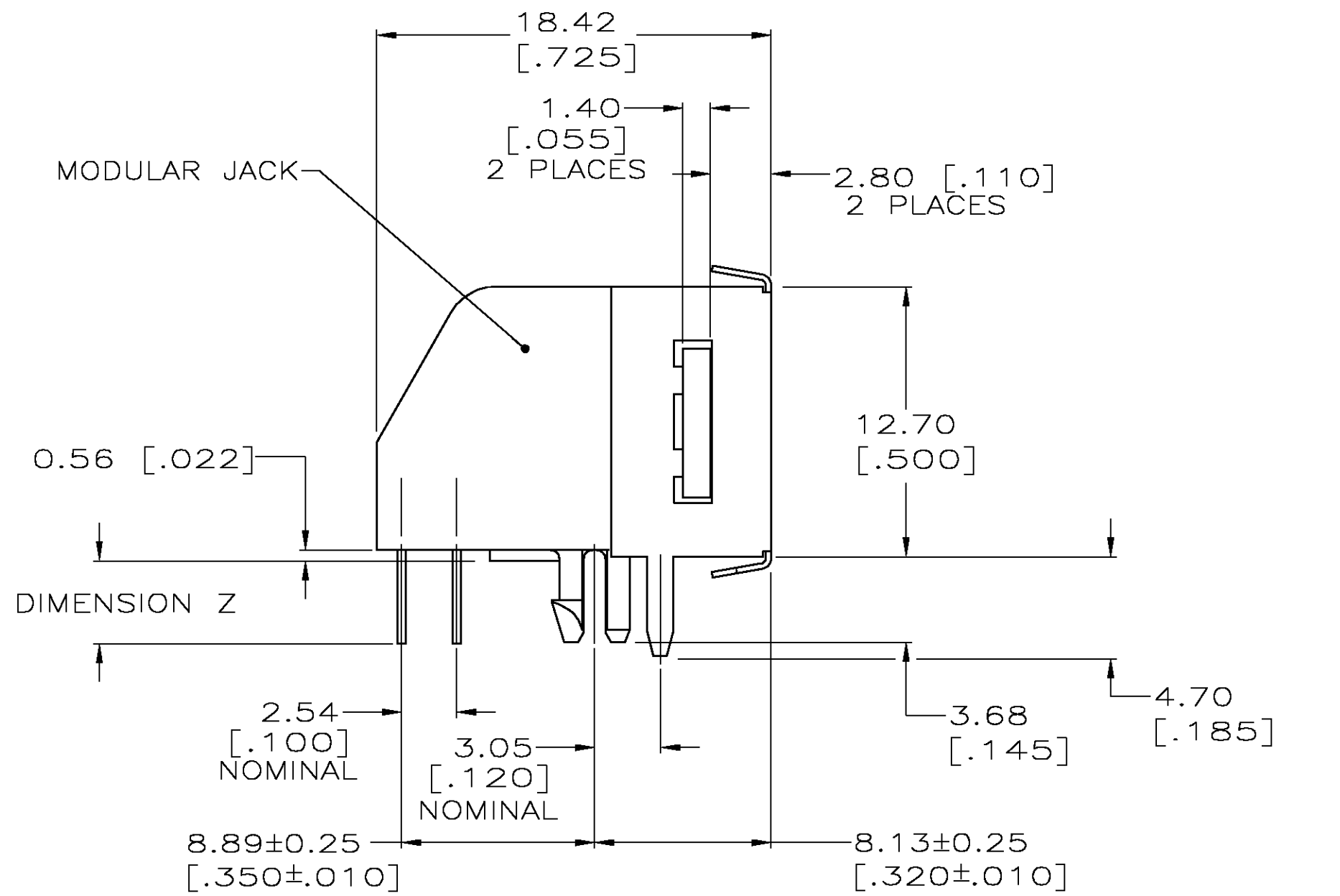
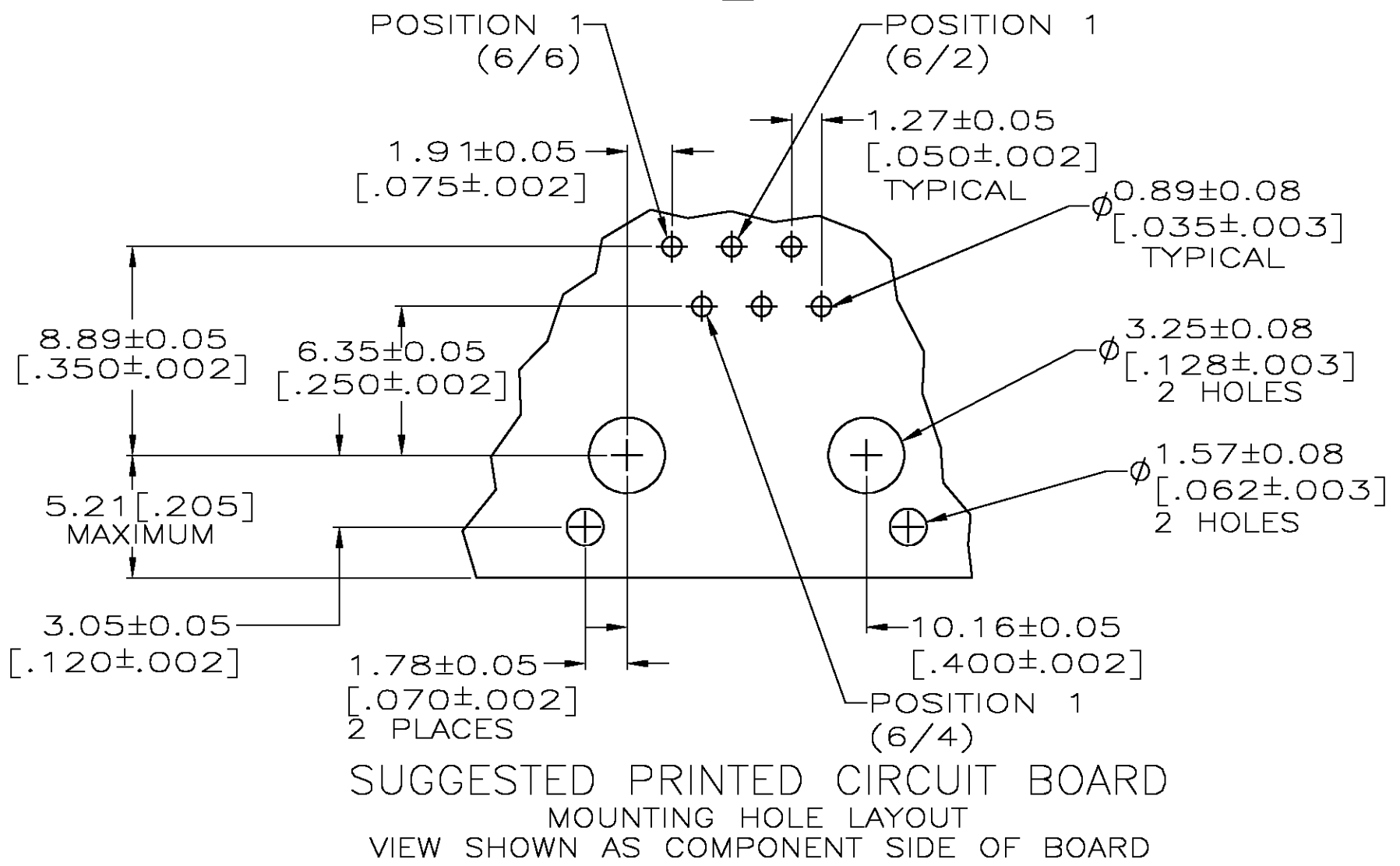
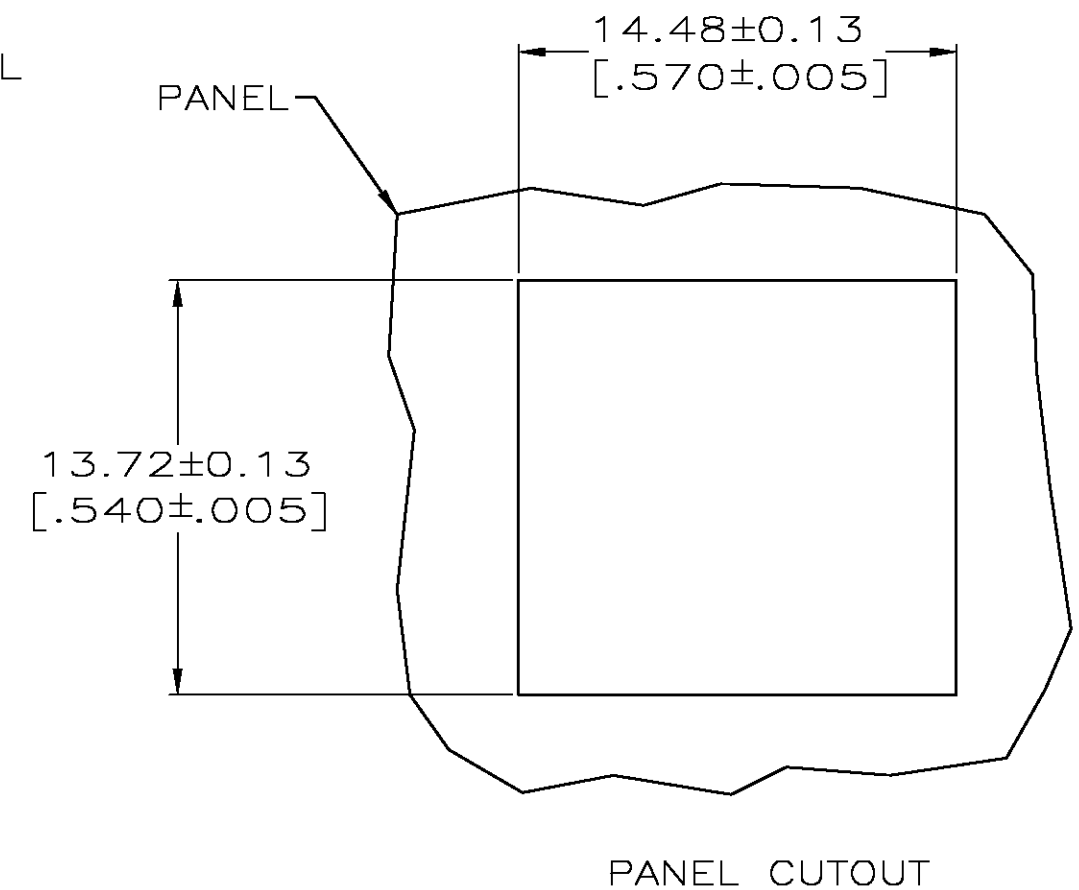
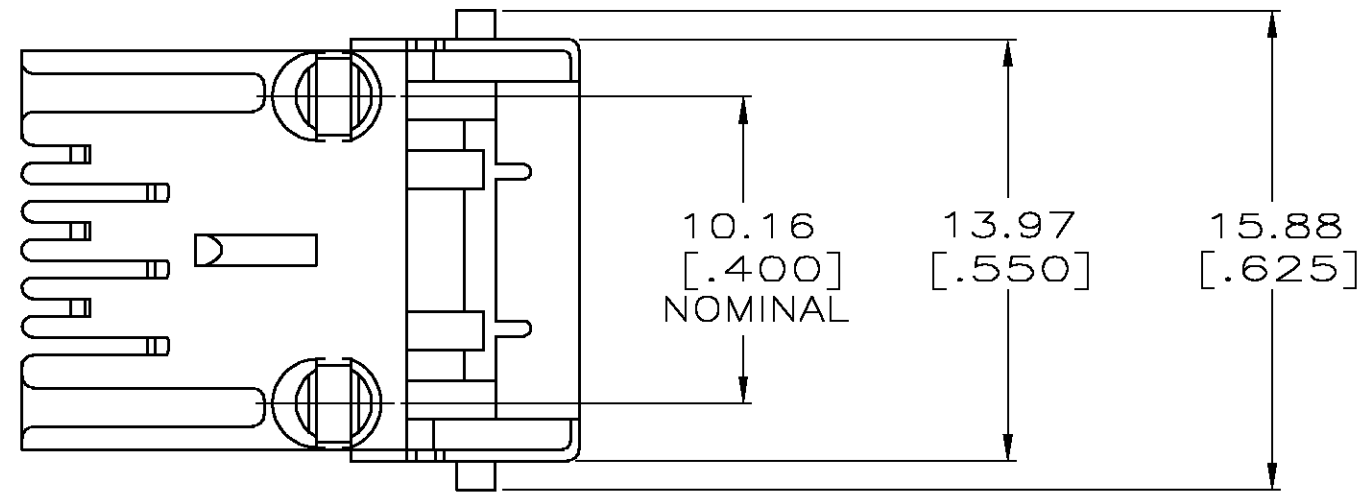


THIS DRAWING IS UNPUBLISHED. RELEASED FOR PUBLICATION  
 © COPYRIGHT BY TYCO ELECTRONICS CORPORATION. ALL RIGHTS RESERVED.

LOC	DIST	REVISIONS					
GP	00	P	LTR	DESCRIPTION	DATE	DWN	APVD
		L		REVISED PER EC OS11-0018-04	28JAN04	JB	BK



- 1 MATERIAL: HOUSING - PBT POLYESTER, BLACK. TERMINAL - 0.36[.014] THICK PHOS-BRONZE PLATED WITH 1.27um[.000050] THICK HARD GOLD IN LOCALIZED GOLD PLATE AREA AND 2.03um[.000080] THICK TIN LEAD IN SOLDER AREA OVER 1.27um[.000050] THICK NICKEL UNDERPLATE. SHIELD - 0.25[.010] THICK COPPER ALLOY, TIN-LEAD PLATED.
- 2 CAVITY CONFORMS TO FCC RULES AND REGULATIONS PART 68, SUBPART F.
- 3. ALL DIMENSIONS SHOWN ARE MAXIMUM UNLESS OTHERWISE SPECIFIED.
- 4 TERMINALS FOR 555140-2 AND 555140-5 LOCATED IN CENTER POSITIONS.



DIMENSION Z	TERMINALS REQUIRED	PART NUMBER
.150±.020	2	555140-5
.100±.010	6	555140-4
.150±.020	4	555140-2
.150±.020	6	555140-1

THIS DRAWING IS A CONTROLLED DOCUMENT.

DWN	G. GARRETT	7-11-95
CHK	N. JONES	8-25-95
APVD	J. TONEY	9-1-95

NAME: MODULAR JACK ASSEMBLY, SHIELDED, 6 POSITION, LOW PROFILE, RIGHT ANGLE, PANEL GROUND WITH PANEL STOPS

SIZE: A2 CAGE CODE: 00779 DRAWING NO: C=555140

SCALE: 4:1 SHEET: 1 OF 1